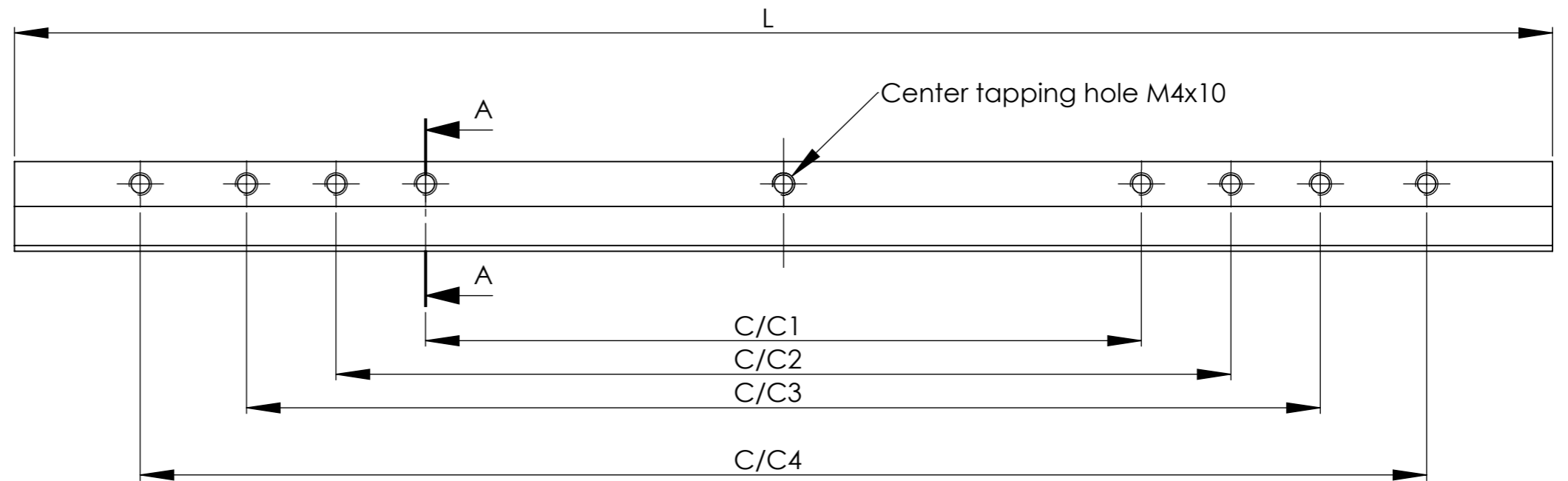


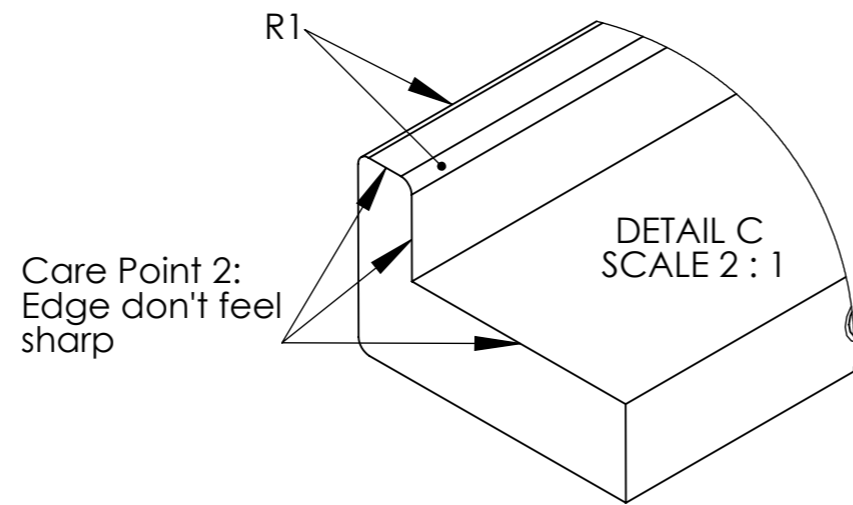
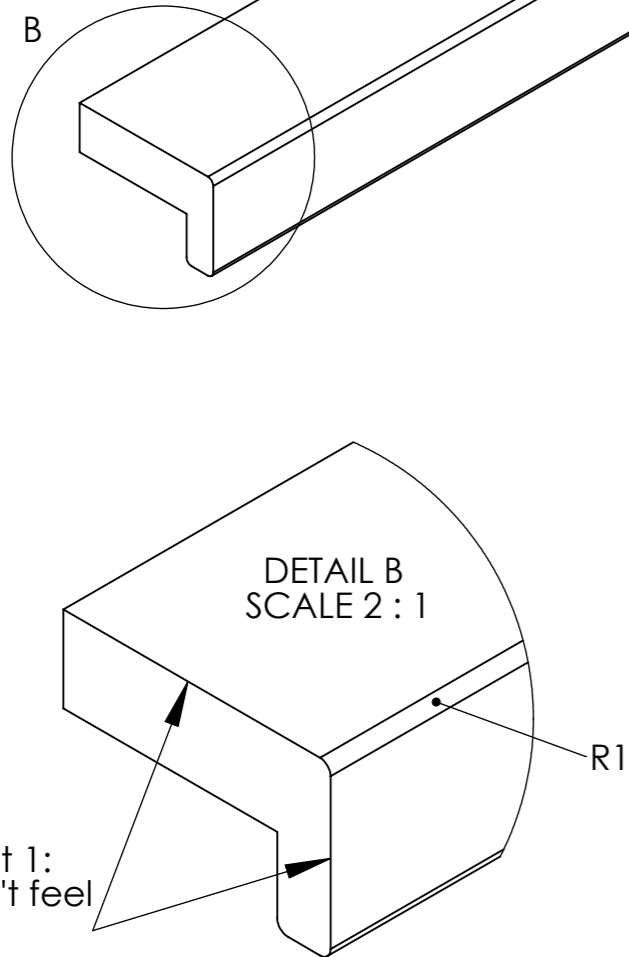
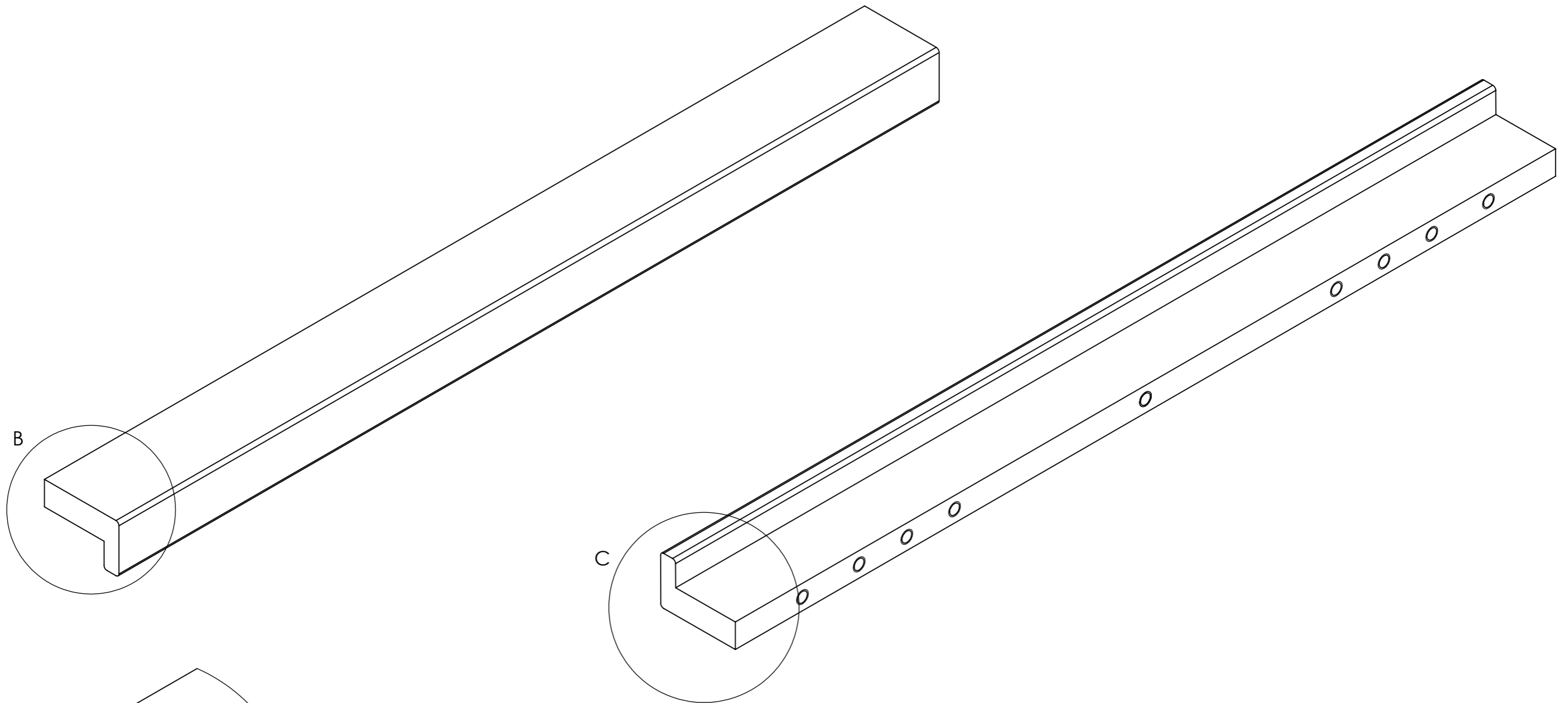
SECTION A-A  
SCALE 2 : 1



| PART NO.               | FRONT            | C/C1             | C/C2             | C/C3              | C/C4             | Center tapping hole M4x10 | L                |
|------------------------|------------------|------------------|------------------|-------------------|------------------|---------------------------|------------------|
| 411220015 <sup>B</sup> |                  |                  |                  |                   |                  | Yes                       | 15 <sup>B</sup>  |
| 411220075              | 145              | 32               |                  |                   |                  |                           | 75               |
| 411220125              | 195              | 96               |                  |                   |                  |                           | 125              |
| 411220225              | 295              | 128              | 160 <sup>A</sup> | 192               |                  |                           | 225              |
| 411220275 <sup>A</sup> | 350 <sup>A</sup> | 128 <sup>A</sup> | 230 <sup>A</sup> |                   |                  |                           | 275 <sup>A</sup> |
| 411220325              | 395              | 128              | 256 <sup>A</sup> | 280 <sup>A</sup>  |                  |                           | 325              |
| 411220375              | 445              | 128              | 330 <sup>A</sup> |                   |                  |                           | 375              |
| 411220425              | 495              | 128              | 365              | 380 <sup>A</sup>  |                  |                           | 425              |
| 411220525              | 595              | 128              | 448 <sup>A</sup> | 465               | 480 <sup>A</sup> |                           | 525              |
| 411220625              | 695              | 128              | 565              | 580 <sup>A</sup>  |                  |                           | 625              |
| 411220687              | 757              | 128 <sup>C</sup> | 627 <sup>C</sup> | 642 <sup>C</sup>  |                  |                           | 687 <sup>C</sup> |
| 411220725              | 795              | 128              | 665              | 680 <sup>A</sup>  |                  | Yes <sup>A</sup>          | 725              |
| 411220825              | 895              | 128              | 765              | 780 <sup>A</sup>  |                  | Yes <sup>A</sup>          | 825              |
| 411220925              | 995              | 128              | 865              | 880 <sup>A</sup>  |                  | Yes <sup>A</sup>          | 925              |
| 4112201125             | 1195             | 128              | 1065             | 1080 <sup>A</sup> |                  | Yes <sup>A</sup>          | 1125             |

|                            |                                   |                               |   |        |         |          |           |         |          |           |       |       |       |       |       |       |       |
|----------------------------|-----------------------------------|-------------------------------|---|--------|---------|----------|-----------|---------|----------|-----------|-------|-------|-------|-------|-------|-------|-------|
| Part name:<br><b>LOOP</b>  | Projection:<br>                   | Sheet format:<br><b>A3</b>    | Tolerance unless otherwise specified DS/ISO 2768-1M<br>Linear dimensions: <table border="1"><tr><td>0-3</td><td>3-6</td><td>6-30</td><td>30-120</td><td>120-400</td><td>400-1000</td><td>1000-2000</td></tr><tr><td>± 0.1</td><td>± 0.1</td><td>± 0.2</td><td>± 0.3</td><td>± 0.5</td><td>± 0.8</td><td>± 1.2</td></tr></table> | 0-3    | 3-6     | 6-30     | 30-120    | 120-400 | 400-1000 | 1000-2000 | ± 0.1 | ± 0.1 | ± 0.2 | ± 0.3 | ± 0.5 | ± 0.8 | ± 1.2 |
| 0-3                        | 3-6                               | 6-30                          |   | 30-120 | 120-400 | 400-1000 | 1000-2000 |         |          |           |       |       |       |       |       |       |       |
| ± 0.1                      | ± 0.1                             | ± 0.2                         | ± 0.3   | ± 0.5  | ± 0.8   | ± 1.2    |           |         |          |           |       |       |       |       |       |       |       |
| Customer:                  | Drawn by:<br>ps date 3. juli 2013 | Scale:<br><b>1:1</b>          | Angle: ± 0.5°<br>Radius: ± 5%   |        |         |          |           |         |          |           |       |       |       |       |       |       |       |
| Part no.: <b>411220xxx</b> | Page 1 of 2                       | Material:<br><b>Aluminium</b> | <b>furnipart®</b><br>Delta 2 DK-8382 Hinnerup Phone: +45 87 64 35 00 Fax: +45 87 64 35 01   |        |         |          |           |         |          |           |       |       |       |       |       |       |       |
|                            | Weight:<br>175,14 grams           |                               |   |        |         |          |           |         |          |           |       |       |       |       |       |       |       |

| Rev.: | Date:      | Name: | Description:                              |
|-------|------------|-------|---|
| C     | 15-10-2019 | MCH   | New length added (687)                    |
| B     | 03-07-2013 | PS    | New length 15 mm added                    |
| A     | 07-03-2013 | PS    | New tapping holes and length 275 mm added |



Care Point 1:  
Edge don't feel sharp

Care Point 2:  
Edge don't feel sharp

| Rev.: | Date:      | Name: | Description:                              |
|-------|------------|-------|---|
| C     | 15-10-2019 | MCH   | New length added (687)                    |
| B     | 03-07-2013 | PS    | New length 15 mm added                    |
| A     | 07-03-2013 | PS    | New tapping holes and length 275 mm added |

|                                |  |                               |   |        |         |          |           |         |          |           |       |       |       |       |       |       |       |
|--------------------------------|--|-------------------------------|---|--------|---------|----------|-----------|---------|----------|-----------|-------|-------|-------|-------|-------|-------|-------|
| Part name:<br><b>LOOP</b>      | Projection:<br>  | Sheet format:<br><b>A3</b>    | Tolerance unless otherwise specified DS/ISO 2768-1M<br>Linear dimensions:<br><table border="1"> <tr> <td>0-3</td> <td>3-6</td> <td>6-30</td> <td>30-120</td> <td>120-400</td> <td>400-1000</td> <td>1000-2000</td> </tr> <tr> <td>± 0.1</td> <td>± 0.1</td> <td>± 0.2</td> <td>± 0.3</td> <td>± 0.5</td> <td>± 0.8</td> <td>± 1.2</td> </tr> </table> | 0-3    | 3-6     | 6-30     | 30-120    | 120-400 | 400-1000 | 1000-2000 | ± 0.1 | ± 0.1 | ± 0.2 | ± 0.3 | ± 0.5 | ± 0.8 | ± 1.2 |
| 0-3                            | 3-6  | 6-30                          |   | 30-120 | 120-400 | 400-1000 | 1000-2000 |         |          |           |       |       |       |       |       |       |       |
| ± 0.1                          | ± 0.1  | ± 0.2                         | ± 0.3   | ± 0.5  | ± 0.8   | ± 1.2    |           |         |          |           |       |       |       |       |       |       |       |
| Customer:                      | Drawn by:<br><b>ps date 3. juli 2013</b>   | Scale:<br><b>1:1</b>          | <table border="1"> <tr> <td>Angle</td> <td>Radius</td> <td></td> <td></td> </tr> <tr> <td>± 0.5°</td> <td>± 5%</td> <td></td> <td></td> </tr> </table>  | Angle  | Radius  |          |           | ± 0.5°  | ± 5%     |           |       |       |       |       |       |       |       |
| Angle                          | Radius   |                               |   |        |         |          |           |         |          |           |       |       |       |       |       |       |       |
| ± 0.5°                         | ± 5%   |                               |   |        |         |          |           |         |          |           |       |       |       |       |       |       |       |
| Part no.:<br><b>411220xxx</b>  | Page 2 of 2  | Material:<br><b>Aluminium</b> | <br>Delta 2      Phone: +45 87 64 35 00<br>DK-8382 Hinnerup      Fax: +45 87 64 35 01   |        |         |          |           |         |          |           |       |       |       |       |       |       |       |
| Weight:<br><b>175,14 grams</b> | <p>COPYRIGHT: THIS DRAWING MAY NOT BE COPIED OR REPRODUCED IN ANY WAY WITHOUT DIRECT PERMISSION FROM FURNIPART A/S</p> |                               |   |        |         |          |           |         |          |           |       |       |       |       |       |       |       |